



El Rio Healthcare
Southeast II Clinic

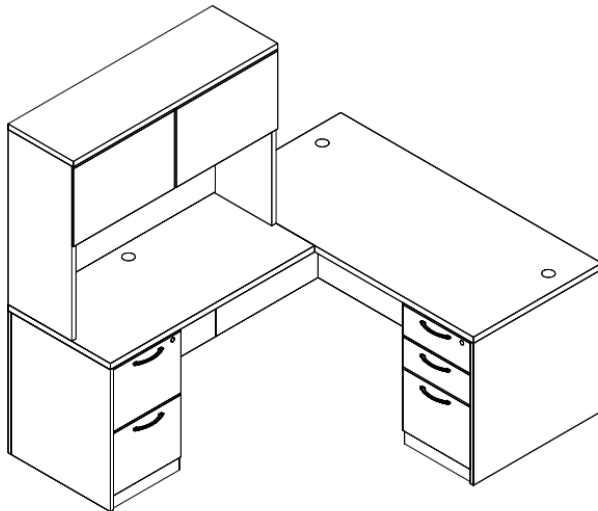
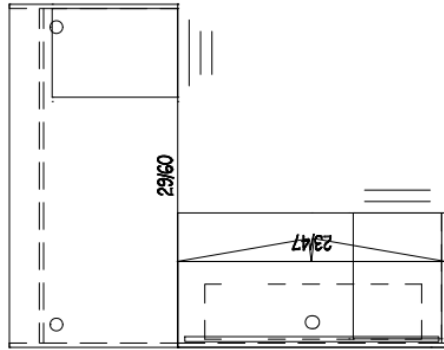
OFF TYP 10

PAGE 1 OF 1

OFFICE FURNITURE

CODE	LOCATION	QTY	DESCRIPTION	MANUFACTURER / STOCK NUMBER
OFF TYP 10	1246	1	FRIANT GITANA WITH (1) 30"D x 60"W DESK W/ BBF PEDESTAL W/ LOCK, 24"D x 48" W RETURN W/ FF PEDSTAL W/ LOCK, (1) 48"W HUTCH STYLE OVERHEAD, TACKBOARD, AND TASKLIGHT. LAMINATE: ESPRESSO, PULLS: H1 SILVER, TACKBOARD: SLIDE AVOCADO. KEY ALIKE OVERHEAD & PEDESTALS.	FRIANT
	TOTAL	1	FRIANT – CONTACT ROBERT WOLK WOLKR@COX.NET – 480-773-0096	

OFF TYP 10



LAMINATE FINISH:



E10 ESPRESSO

PULL:



H1 SATIN SILVER

TACKBOARD FABRIC:



SLIDE AVOCADO